

# RIM USER MANUAL

35TH ANNIVERSARY PROJECT



# TABLE OF CONTENTS

WELCOME TO TRIBE / GENERAL INFO	03
SAFETY	04
INTENDED USE	06
BOM / SPEC	07
ASSEMBLY	08
HANDLING	10
MAINTENANCE AND CARE	11
WARRANTY	12

# CONGRATULATIONS ON THE PURCHASE OF YOUR NEW YETI RIMS.

This user manual is intended for the user of Yeti 35th Anniversary Wheels. It includes information on the assembly, maintenance, and care of the component, including the warranty policy. Users must read and understand this manual before using the component. Third-party users must also be informed about the following provisions. Keep this user manual handy, for reference in case you need to refer to it later.

# SAFTEY



**INCORRECT HANDLING, INSTALLATION, MAINTENANCE OR SERVICING CAN LEAD TO ACCIDENTS CAUSING SEVERE INJURIES OR DEATH!**

- Compliance with the following provisions is a prerequisite for accident-free use and faultless performance.
- We recommend that you have your wheels assembled and maintained by an experienced professional. This is the only way to ensure that your wheels will give you a long and problem-free lifetime of service.
- Assembly and maintenance of the wheels requires a basic knowledge of handling bicycle components. If in any doubt, consult your retailer.
- The maximum spoke tension of 120 Kgf must not be exceeded on any spoke.
- The rims / wheels should be used only in accordance with their intended use (reference "Intended Use" on page 06). Otherwise the user shall assume responsibility.
- The maximum system weight of the rims / wheels must not be exceeded per their intended use.
- The maximum tire pressure of the of the tire used must not be exceeded.
- The rim / wheel must be compatible with all parts of the bicycle. If in any doubt, consult a professional.
- The rim / wheel must not be changed or modified.
- Rims / wheels designed for disc brakes must not be used with rim brakes.
- Check that the wheel is attached correctly before each ride.
- Regularly check the spoke tension, dish and wear of the wheel.
- Check the wheel for damage before and after each ride.
- The wheels must not be used If they are damaged or there are any signs of damage. If in any doubt, consult your retailer.
- Do not place any body part near a spinning wheel. This can cause sever injury.

# SAFTEY

## DANGER

### **RISK OF ACCIDENT DUE TO WORN TUBELESS READY TAPE!**

- If the Tubeless Ready Tape is worn, there is a risk of sudden tire pressure loss which can lead to accidents with serious injuries or even death.
- Check Tubeless Ready Tape every three months for signs of wear (reference "Maintenance and care" on page 11).
- The wheels must not be used if they are damaged or there are any signs of damage. If in any doubt, consult your retailer.

### **DANGER OF BURNS FROM HOT BRAKE DISK!**

- Allow brake disc and brake flange to cool down before working on the wheel.

### **RISK OF DAMAGING THE WHEEL BY SELECTING INCORRECT COMPONENTS OR TOOLS!**

- Do not use metal tire levers as they can damage the surface of the rim, tire, or inner tube.
- Use only valves with a suitable diameter and of an adequate length. The valve hole must not be modified.
- Use only rim tape, inner tubes and tires which fit the dimensions of the rim.

# INTENDED USE

- If intended use is exceeded the user shall assume full responsibility.
- ASTM F2043 Intended use classification 4: Yeti 35th Anniversary wheels are used in very rough, terrain with jumps and drops up to approximately 122 cm height and speeds up to 40 km/h by riders with very good riding skills. Yeti 35th Anniversary wheels must be checked for possible damage after each ride due risk of damage and nature of use. A shortened product lifetime cannot be excluded.
- The choice of the remaining components (hub, spokes, nipples, washer) as well as the spoking pattern, and the wheel building, influence the intended use of the entire wheel, and can significantly restrict it. Yeti therefore recommends that the choice of the components and assembly of the wheel is performed by a specialist with knowledge and skills in building and maintaining wheels. If in any doubt, consult your retailer.
- Do not exceed the max pressure of your specific tire according to the manufacturer's specifications. Max pressures are marked on the outside of the tire casing.

# BOM / SPEC

## D-LIGHT SPOKE TECHNICAL SPECS

### WEIGHT:

(64 pcs x 260 mm lg) 307 g

### QUALITY:

Stainless Black Oxide coated

### STRENGTH ON MIDDLE SECTION:

1370 N/mm<sup>2</sup>

### RECOMMENDED SPOKE TENSION:

110 Kgf

### MAXIMUM SPOKE TENSION:

120 Kgf

### DIMENSIONS:

#### LENGTH:

Front: 290mm Left, 290mm Right

Rear: 292mm Left 290mm Right

#### DIAMETER:

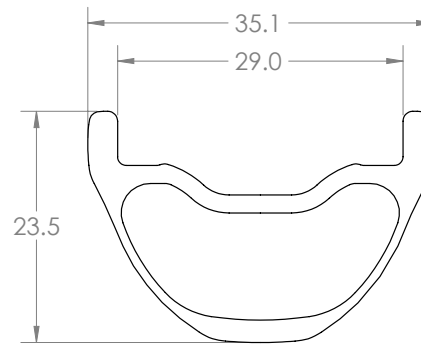
2.0 - 1.65 - 2.0 mm

#### SAPIM NIPPLES:

Sapim nipple 14G - Double Square - Brass - Polyax - B - 16mm - SL Black Oxide

#### NEWMEN MG WASHERS:

MG Nipple Washer Stainless Double-sided Concave



29" x 29mm  
592 ERD

# ASSEMBLY

## INSTALLING RIM TAPE

1. Before applying tape make sure rim is free from any damage. If damage is found contact your dealer.
2. Clean inner surface of rim thoroughly using isopropyl alcohol to remove any residue that would prevent the rim tape from adhering properly.
3. Ensure rim tape measures 30mm in width and is specifically designed for bicycle rim use.
4. Adhere rim tape to rim bed 100mm past valve stem hole. Slowly apply rim tape in short sections along entire circumference of rim bed until rim tape overlaps itself and extends 100mm on the other side of the valve stem hole.
  - a. *As the rim tape is applied ensure light tension is kept on the rim tape before it is pressed firmly into the rim bed.*
5. Cut rim tape and confirm that the rim tape is completely adhered to rim bed around the entire surface of the wheel.

## INSTALLING VALVE STEM

1. Using a small sharp tool, cut the rim tape to allow valve stem to fit through.
  - a. Make sure you do not damage rim when cutting valve stem hole in the rim tape.
2. Assemble the valve stem according to the manufacturer's specifications.

## FITTING THE TIRES WITHOUT A TUBE

Yeti Cycles offers no functional guarantee for the tubeless system since we are unable to exert any influence on the tires, sealant used and installation process.

Yeti Cycles 35th Anniversary wheels are tubeless ready and compatible. In order for best results, follow the proceeding installation process. If in doubt, contact your local Yeti Cycles retailer for professional tubeless tire installation services.

If chosen, follow these steps for tubeless tire use and installation:

1. Make sure that a tubeless ready tape and a tubeless valve are used in installation.
2. Be sure to use high quality tubeless sealant fluid when installing a tubeless tire system. Follow the instructions of the chosen sealant manufacturer.
3. Install only "Tubeless Ready" tires as directed by tire manufacturer.
4. Tire bead must contact the rim evenly and securely around the entire wheel circumference. Use plastic tire levers to properly set tire bead.
5. Once bead is set, pump the tires up to their maximum approved pressure.
6. Check the tire bead seat to ensure no air is escaping and that tire pressure is holding firmly. Incorrect sealing of tire bead to wheel rim may result in loss of air pressure and wheel failure. If in doubt, contact your Yeti Cycles retailer for installation.
7. When no air is escaping you may reduce the tire pressure to the desired operating pressure. Be sure to stay within the PSI recommendation of chose tire manufacturer.



# ASSEMBLY

## FITTING TIRES WITH A TUBE

1. Attach the rim tape.
2. Assemble the inner tube and tire according to the manufacturer's specifications.
  - a. We recommend using soapy water.
3. Pump the tires up to their maximum approved pressure.
4. Check the tire bead seat.
  - a. The tire bead must contact the rim evenly around its entire circumference.
  - b. Have the tire bead seat checked by a professional if in any doubt.
5. If necessary, reduce the tire pressure to the desired operating pressure.

## ASSEMBLING THE CASSETTE

1. Assemble the cassette according to the manufacturer's specifications.

## MOUNT THE BRAKE DISK

1. If using a 6-hole brake disc: Assemble the brake disc according to the manufacturer's specifications.

## INSTALLING ONTO FRAME

### FRONT WHEEL

1. Place front wheel between fork legs so that the hub lines up with the fork dropouts and the rotor is centered between the brake calipers' brake pads.
2. Once the wheel is resting in the dropouts, and the rotor is aligned in the brake caliper, install and torque fork axle according to the manufacturer's specifications.

### REAR WHEEL

1. Place rear wheel between the rear triangle. As you are positioning the wheel ensure the chain is properly looped around the cassette.
2. Once the chain is in place, align the hub with the rear triangle dropouts and ensure the rotor is centered between the brake calipers' brake pads.
3. Once the wheel is resting in the dropouts and the rotor is aligned in the brake caliper, install and torque rear axle according to the manufacturer's specifications.

# HANDLING

## TRANSPORT

Correct transportation avoids damage to the wheels. The following points should be noted:

- Do your best to ensure individual wheels are properly protected in a wheel bag or wheel box during transport.
- Do not place objects on wheels that could damage them
- Do not place wheels under pressure or stress that exceeds operating or, intended use scenarios.
- Cushion wheels before using lashing straps or ratchet systems if securing wheels during transport.

## TRANSPORT ON AND IN VEHICLE



**DANGER! WHEEL CAN BE DAMAGED DUE TO HIGH TEMPERATURES FROM CAR OR TRUCK EXHAUST. DO NOT PLACE WHEELS NEAR EXHAUST. DOING SO POSES SIGNIFICANT RISK OF COMPONENT FAILURE.**

## TRANSPORT IN A VEHICLE

- When transporting in a vehicle, cover the wheels in order to shield from direct sunlight.
- Whenever possible, do not expose wheels to excessive high temperatures.
  - If carbon wheels are transported at high temperatures inside of a vehicle, or other mode of transport, reduce the tire pressure and inflate once you have reached your destination.

## STORAGE

Careful storage prolongs the life of the wheels. Note the following points:

- Do not hang carbon wheels from hooks.
- Release pressure from the tires when storing for prolonged periods.
- Clean the wheels, removing all solids and liquids including, interior tire area.

# MAINTENANCE AND CARE

The below list should be treated as guidelines. Proper maintenance intervals will vary depending on riding conditions and climate.

TASK	INTERVAL
CHECK THAT WHEELS ARE SECURED CORRECTLY	BEFORE EACH RIDE
CHECK AIR PRESSURE	BEFORE EACH RIDE
CHECK THE RIM AND ITS COMPONENTS FOR DAMAGE	BEFORE AND AFTER EACH RIDE
CLEAN WITH SOFT CLOTH AND A SUITABLE CLEANING AGENT - Do not use high pressure cleaners or aggressive cleanign agents!	AFTER EACH RIDE
CHECK THE SPOKE TENSION, DISH AND WEAR OF THE WHEEL	10 OPERATING HOURS
CHECK THE TUBELESS READY TAPE FOR DAMAGES. THE TUBELESS READY TAPE NEEDS TO BE CHANGED WHEN: - ANY WEAR IS VISIBLE - STRONG BULGES AT TEH SPOKE HOLES ARE VISIBLE INWARDS AND THE TAPE WRINKLES STRONGLY AT THE SPOKE HOLES.	3 MONTHS
MAINTENANCE OF THE HUBS PER MANUFACTURER'S SPECIFICATIONS. UNDER NORMAL OPERATING CONDITIONS	ANNUALLY
IN CASE OF EXTREME OPERATING CONDITIONS (REGULAR JOURNEYS IN DUST, RAIN, SNOW, OR IN CASE OF FREQUENT TRANSPORT WHILE RAINING).	3 MONTHS
REPLACE THE TUBELESS READY TAPE	12 MONTHS

## DISPOSABLE AND ENVIRONMENTAL PROTECTION

Statutory regulations shall apply. Whenever possible, avoid creating waste. Waste, especially carbon, lubricants, cleaners and any other fluids must be disposed in an environmentally compatible manner.

# LIFETIME WARRANTY

## HERE'S EVERYTHING YOU NEED TO KNOW ABOUT OUR LIFETIME WARRANTY:

All Yeti 35th Anniversary Rims are covered for life against damage due to manufacturing defects for the original purchaser. Manufacturing defects of the paint and finish are covered for a 1-year period. Warranty does not cover damage due to ordinary wear and tear, neglect or intentional destruction. Yeti Cycles reserves the right to inspect, repair or replace, at our discretion, any wheel we deem defective. In order to process and receive warrant claims, you must register your Yeti Cycles bike online at <https://www.yeticycles.com/register> and you must take it to an authorized Yeti Cycles dealer for processing.

## CRASH REPLACEMENT:

If you happen to have a crash or non-warranty situation, we'll get you back on the trail with a reasonable replacement price. Same conditions as above.

## DISCLAIMER

YETI Cycles is not responsible for any damages to you or others arising from riding, transporting or other use of your bicycle. In the event that your rim breaks or malfunctions, YETI Cycles shall have no liability or obligation beyond the repair or replacement of your rims pursuant to the terms outlined in the warranty.

*\*If you have a warranty concern, please contact your authorized Yeti dealer.*

## YETI CYCLES

621 Corporate Circle, Unit  
B Golden, CO 80401  
(p) 303-278-6909  
(f) 303-278-6906  
[www.yeticycles.com](http://www.yeticycles.com)

## BUSINESS HOURS

Monday-Friday  
8AM-11:30AM,  
1:00PM-5:30PM (Mountain  
Time)