



OWNER'S MANUAL 2012 YETI ASR 5

YETI CYCLES

600 Corporate Circle, Unit D
Golden, CO 80401
888.576.9384

www.yeticycles.com



TABLE OF CONTENTS

BRAND OVERVIEW	06
FRAME FEATURES	08
GEOMETRY	10
MAINTENANCE SCHEDULE	12

SETUP

OVERVIEW	14
SHOCK SETUP RP23	15
QUICK START GUIDE RP23	16
SHOCK SETUP RP2	17
QUICK START GUIDE RP2	18
CABLE/LINE SETUP	20

TECHNICAL

ASSEMBLY OVERVIEW	22
CHIP SYSTEM	25
EXPLODED VIEWS	26
REBUILD KITS	28

LEGAL

WARRANTY	30
CONTACT INFORMATION	31

WELCOME TO THE TRIBE. CONGRATULATIONS ON YOUR PURCHASE OF A NEW YETI.

We are confident your new bicycle will exceed your expectations for value, performance, and ride quality. Each frameset and component has been custom specified and designed to enhance your riding experience. Whether you are a beginner cyclist, or a seasoned pro, your Yeti bicycle will provide endless hours of two-wheeled fun.

This model specific manual is designed to be used in conjunction with the general Yeti Owner's Manual and the manuals supplied by the suspension manufactures. If you did not receive the Yeti owner's manual or the manual provided by the suspension manufacturer download the materials off the Internet, or contact your local dealer.

Bicycling can be a hazardous activity even under the best of circumstances. Proper maintenance of your bicycle is your responsibility and when done properly helps reduce the risk of injury and damage to your bicycle.

Warning: Make sure you review and understand the warnings, instructions, and content of this manual and accompanying manuals for your bicycle.

Warning: Technological advances have made bicycles and bicycle components more complex and the pace of innovation is increasing. It is impossible for this manual or the accompanying manuals to provide all the information required to properly repair and/or maintain your bicycle. In order to help minimize the chances of an injury, it is critical for you to have work performed by an authorized Yeti retailer.

This manual outlines basic setup and maintenance recommendations of your new Yeti. Because it is impossible to anticipate every situation or condition that may occur during the assembly, setup, and maintenance of your bicycle, Yeti recommends that all service and repairs be performed by your local authorized Yeti Dealer.

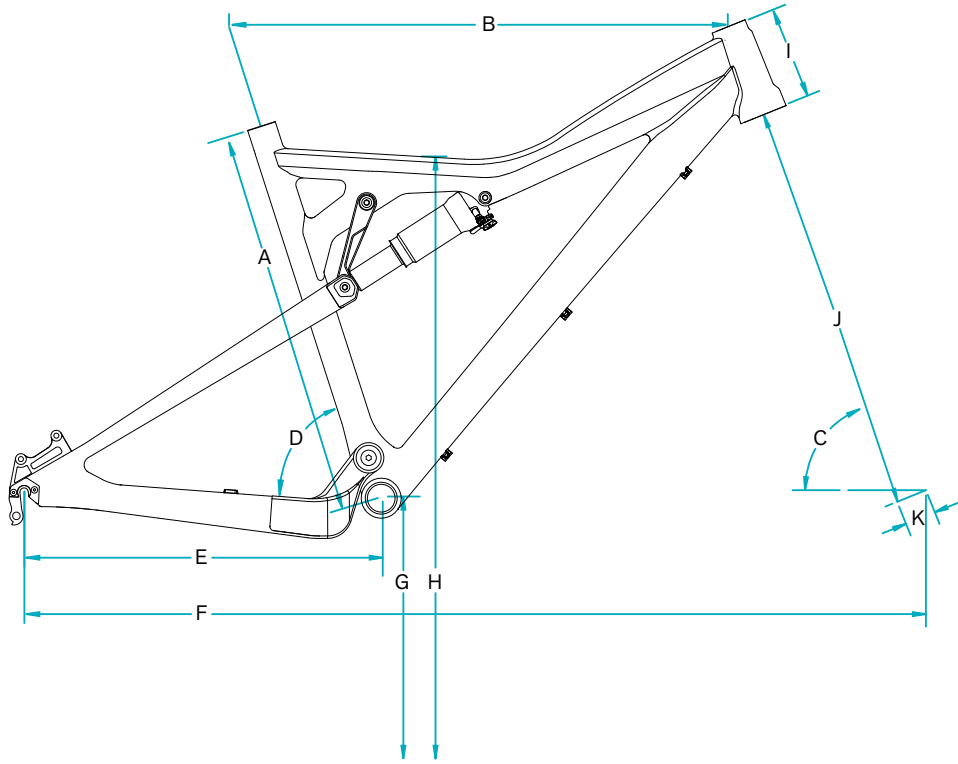
This manual contains many "Warnings" and "Cautions" concerning the consequences of failure to maintain or inspect your bicycle. The word "Warning" indicates a potentially hazardous situation in which, if not avoided, could result in serious injury or death. The word "Caution" indicates a potentially hazardous situation in which, if not avoided may result in minor injuries or damage to your bicycle or a component of your bicycle. Be sure to read and understand all of the Warnings and Cautions listed in the manual.

PERFECTLY TUNED SUSPENSION TRANSLATES TO A LIVELY, AGGRESSIVE FEEL ON THE TRAIL.

1. HIGH MODULUS CARBON FIBER REAR TRIANGLE
2. COMPATIBLE WITH 120 OR 140MM FORKS
3. ALLOY DOGBONE
4. TAPERED HEADTUBE
5. REAR SHOCK BY FOX RACING SHOX
6. DROPOUTS 12MM X 142 THRU AXLE OR 135MM QR
7. CABLE STOPS FOR HEIGHT ADJUSTABLE SEATPOST

1. The rear triangle is constructed entirely of high modulus, hand laid-up carbon with co-molded aluminum lugs at the bearing and pivot connections.
2. Depending on your riding style and geometry preference the AS-R 5 is compatible with 120mm or 140mm forks.
3. Here at Yeti the Dogbone is an integral part of our suspension design. Structurally, the Dogbone significantly reduces side to side flex of the frames swingarm. Additionally, it prevents any side loading on the rear shock, helping to increase its performance and life.
4. The AS-R 5 has a tapered head tube. The bottom cup is 1.5" and the top cup is 1.125". This creates a very stiff front end in combination with a tapered fork without adding additional weight.
5. The ASR5 uses a 2.0 inch stroke, 7.875 inch eye to eye shock, by Fox Racing Shox.
6. The Yeti chip system allows for an easy switch between a standard 135mm QR or the 142mm x 12mm Shimano thru-axle system.
7. Dedicated cable stops for a height adjustable seat post make routing the line clean and easy. Enhance your trail riding experience on the ASR5 with a dropper post.

GEOMETRY



FIT

X-SMALL	5'0" (153 CM) - 5'3" (160 CM)
SMALL	5'3" (160 CM) - 5'7" (171 CM)
MEDIUM	5'7" (171 CM) - 5'11" (180 CM)
LARGE	5'11" (180 CM) - 6'3" (191 CM)
X-LARGE	6'3" (191 CM) - 6'6" (198 CM)

120 MM FORK

	XS	SM	MD	LG	XL
A	15.8	18.5	18.8	19.9	21.5
B	21.6	22.6	23.6	24.6	25.4
C	68.0	68.0	68.0	68.0	68.0
D	72.2	72.2	72.2	72.2	72.2
E	16.9	16.9	16.9	16.9	16.9
F	41.8	42.9	43.9	44.9	45.8
G	13.0	13.0	13.0	13.0	13.0
H	28.7	28.9	28.9	29.1	29.3
I	3.6	4.5	4.5	5.1	6.0
J	19.3	19.3	19.3	19.3	19.3
K	1.5	1.5	1.5	1.5	1.5

140 MM FORK

	XS	SM	MD	LG	XL
A	15.8	18.5	18.8	19.9	21.5
B	21.7	22.7	23.7	24.7	25.5
C	67.0	67.0	67.0	67.0	67.0
D	71.2	71.2	71.2	71.2	71.2
E	16.9	16.9	16.9	16.9	16.9
F	42.1	43.2	44.2	45.2	46.1
G	13.3	13.3	13.3	13.3	13.3
H	29.1	29.3	29.3	29.5	29.7
I	3.6	4.5	4.5	5.1	6.0
J	20.1	20.1	20.1	20.1	20.1
K	1.5	1.5	1.5	1.5	1.5

*All measurements are in inches

KEEP YOUR NEW YETI FRESH AND CLEAN

OVERVIEW

Following these guidelines will help maintain the performance of your bicycle and prevent more serious problems from arising. It is important to remember that service intervals can vary depending on climate, trail conditions and riding frequency. If you are unsure about working on your own bicycle, contact your authorized Yeti Dealer or visit the repair help section at www.parktool.com for more information on general bicycle maintenance.

SCHEDULE

	WEEKLY	MONTHLY	3 MONTHS	ANNUALLY
CLEAN AND LUBE CHAIN	■			
CHECK TIRE PRESSURE	■			
CLEAN BIKE OF MUD AND DEBRIS	■			
CHECK BRAKE FUNCTION	■			
CHECK SHOCK PRESSURE, IF APPLICABLE	■			
CHECK FOR LOOSE BOLTS AND TIGHTEN, IF NECESSARY	■			
CHECK HEADSET AND TIGHTEN / LOOSEN, IF NECESSARY		■		
THOROUGHLY CLEAN PIVOT POINTS WITH A RAG (DO NOT LUBRICATE)		■		
REPLACE BRAKE PADS, IF NECESSARY			■	
CHECK TIRES FOR WEAR			■	
CHECK SPOKE TENSION AND RETENTION, IF NECESSARY			■	
CHECK CHAIN FOR WEAR AND REPLACE IF NECESSARY			■	
COMPLETE TUNE-UP PERFORMED BY AN AUTHORIZED YETI DEALER				■

TORQUE

Yeti strongly recommends using a torque wrench when assembling your frame. Torque specifications for individual parts on the ASR5 are listed below, as well as in the step by step assembly instructions later in the manual. For general bicycle maintenance please consult the torque specifications of the manufacture's component you are adjusting.

KEY TORQUE SPECS

PART NUMBER	DESCRIPTION	TORQUE (IN/LB)
300030110	BOLT-TI-MALE M6X1 12 MM	90-95
HNA0000ABA0000000005	BOLT-ALLOY-MALE M6X1 12MM	60-65
300030189	PIVOT PIN BOLT M10 X 1 X 22	115-125
300030139	BOLT FLAT HD M4X.7X16	5-10

SHOCK SETUP

YETI TIPS

Inspect your shock for any visible damage. If oil is leaking or you notice any damage to the surfaces or seals, please contact the Fox Racing Shox service center for repair at 800.FOX.SHOX.

Shock set-up can fluctuate greatly based on the rider. The set-up guide is intended as a base line to get the rider started. Experiment with your settings to find the set-up that works best for you.



TOOLS NEEDED

- Shock Pump
- Tape Measure



01. AIR PRESSURE RP23

The main air spring controls the sag of the shock. For the ASR5 to ride properly it is important to setup the shock with the correct amount of sag. For general riding the ASR5 works best with 20-30 % (10-15MM) of shock sag. To increase the sag reduce the main spring air pressure. To reduce the sag increase the main spring air pressure.



02. SAG RP23

Once you have set your baseline air pressure you need to measure the sag. To measure the sag slide the travel indicator (O-Ring) up against the shock body. With a friend supporting the bike, sit on the saddle (do not bounce) and allow your body weight to compress the shock. Once you have compressed the shock, get off the bike and measure the distance between the shock body and the new position of the travel indicator (O-Ring). This is your sag.



03. PRO PEDAL RP23

The pro-pedal dampening has four levels of adjustment and is controlled by the blue lever and the numbered black dial. Use each setting to adjust the shock for different riding conditions and situations. For example, use propedal for riding to the top of the mountain and then switch to open for the descent. The four different levels of dampening on the shock are: (0) open, (1) light, (2) medium, and (3) firm pro-pedal. If the bike feels too firm, put it on a light setting, and if it feels too sluggish, turn it to the stiffer setting. We have found that the ASR5 rides best with the pro-pedal in the medium setting for climbing and the open setting for descending.



SHOCK SETUP



04. REBOUND RP23

The rebound adjustment has 13 clicks of adjustment. The rebound knob is the red adjustment dial located above your blue pro-pedal adjustment lever. As a general rule, adjustments that are too fast (counter-clockwise adjustment) will produce a springy ride with excessive kick-up of the rear end causing a bucking sensation. Adjustments that are too slow (clockwise adjustment) will cause packing of the rear wheel indicated by a sluggish ride feeling ride.

Slower rebound- turn the knob clockwise
 Faster rebound- turn the knob counter-clockwise

QUICK START GUIDE - RP23

ADJUSTMENT	SETTING
AIR SPRING SETTING (PSI)	RIDER WEIGHT LESS 10-20 PSI
MEASURED SAG (MM)	10-15
REBOUND	*5 CLICKS
PRO-PEDAL LEVER	OPEN
PRO-PEDAL KNOB	POSITION 2-CLIMBING / POSITION 0-DESCENDING

**All clicks are counted clockwise, rotating from the all the way out or counter - clockwise dial position.*

01. AIR PRESSURE RP2

The main air spring controls the sag of the shock. For the ASR5 to ride properly it is important to setup the shock with the correct amount of sag. For general riding the ASR5 works best with 20-30 % (10-15MM) of shock sag. To increase the sag reduce the main spring air pressure. To reduce the sag increase the main spring air pressure.

02. SAG RP2

Once you have set your baseline air pressure you need to measure the sag. To measure the sag slide the travel indicator (O-Ring) up against the shock body. With a friend supporting the bike, sit on the saddle (do not bounce) and allow your body weight to compress the shock. Once you have compressed the shock, get off the bike and measure the distance between the shock body and the new position of the travel indicator (O-Ring). This is your sag.



03. PRO PEDAL RP2

The pro-pedal dampening has two levels of adjustment and is controlled by the blue lever located below the rebound dial. Use each setting to adjust the shock for different riding conditions and situations. For example, use propedal for riding to the top of the mountain and then switch to open for the descent. The two different levels of dampening on the shock are: "open" and "pro-pedal". If the bike feels too firm, put it on the "open" setting, and if it feels too sluggish, turn it to the "propedal" setting. We have found that the ASR5 rides best climbing in the "propedal" setting and descending in the "open" setting.





04. REBOUND RP2

The rebound adjustment has 13 clicks of adjustment. The rebound knob is the red adjustment dial located above your blue pro-pedal adjustment lever. As a general rule, adjustments that are too fast (counter-clockwise adjustment) will produce a springy ride with excessive kick-up of the rear end causing a bucking sensation. Adjustments that are too slow (clockwise adjustment) will cause packing of the rear wheel indicated by a sluggish ride feeling ride.

Slower rebound- turn the knob clockwise
 Faster rebound- turn the knob counter-clockwise

QUICK START GUIDE - RP2

ADJUSTMENT	SETTING
AIR SPRING SETTING (PSI)	RIDER WEIGHT LESS 10-20 PSI
MEASURED SAG (MM)	10-15
REBOUND	*5 CLICKS
PRO-PEDAL LEVER	OPEN-DESCENDING / PROPEDAL-CLIMBING

**All clicks are counted clockwise, rotating from the all the way out or counter - clockwise dial position.*

CABLE SETUP

YETI TIPS

The ASR5 has full cable housing. By using full cable housing, we have eliminated break points in the line of your shifter housing. This allows riders to experience better overall shifting performance by reducing the entrance of unwanted elements such as sweat and sediment. Use of full cable housing helps prevent corrosion from the elements and keeps the shifting smoother for a longer period of time.

The staff at Yeti are sold on riding with a height adjustable seat post so we included specific cable guides for the post's line on the ASR5-A (these guides are not offered on the ASR5-C). Run the line from your remote through the two cable stops on the bottom of the top tube for a clean set-up. If you haven't tried a dropper on your ASR5, we strongly recommend you do, as it makes trail riding even more fun.

Caution: The failure to properly route shifter housing can cause malfunction of the shift mechanism and unexpected shifting of gears.



01. REAR DERAILLEUR

Fit the housing from the rear shifter across the head tube and into the cable stops on the down tube. There are three cable stops on the bottom of the down tube, each with three positions to secure housing. Fit the rear housing line through these stops using the middle position. Next, route the housing under the bottom bracket and through the drive side chainstay, looping onto the rear derailleur to finish. Remove the cap on the exit side of the chainstay to make this process easier. Ensure there is a small amount of "slack" between the last cable stop on the down tube and the chainstay entrance to allow for smooth shifting when the rear suspension is being compressed.



02. FRONT DERAILLEUR

Fit a piece of housing from the front shifter across the head tube and into the three cable stops on the down tube. Use the position closest to the drive side for the front derailleur housing. Next, route the housing into the cable stop on the bottom bracket shell. The wire cable will run through the cable stop and attach to the front derailleur to finish.



03. REAR BRAKE

The rear brake line loops across the head tube and into the cable stops on the down tube. Use the position closest to the non-drive side of the frame on the cable guides for the rear brake line. Next, route the brake line over the bottom bracket shell and across the non-drive chainstay. Ensure the line is finished on the inside of the seatstay when attached to the caliper body. This will prevent the brake line from being compromised if the bike or rider falls.



ASSEMBLY

YETI TIPS

Make sure your tools are in good condition. A worn allen key can round the hex on a bolt not allowing for proper torque.

Torque settings are listed throughout the instructions. It is also important to prep all bolt threads. The instructions denote whether to use a Loctite compound or grease.

Warning: Service on Yeti bicycles requires special knowledge and tools. Yeti Cycles recommends that all service and repairs be performed by an authorized Yeti Dealer

TOOLS NEEDED

- Dead blow hammer
- Two - 5mm allen keys
- Two - 4mm allen keys
- Guide pin tool
- Grease
- Blue loctite
- Purple loctite



01.

Press two 23.5mm reducers into the lower portion of the shock.



02.

Install the shock on the frame. Insert a 31.0mm alloy female bolt (use the 34.0mm bolt for the ASR5C) through the drive side of the frame for the shock. Prep an alloy male bolt with purple loctite and tighten with two 4mm allen keys.

Torque to 60-65 in/lb.



03.

Install the dogbone onto the frame. Insert a 40.5 mm alloy female bolt with washer through the drive side of the frame and the dogbone. The fox guide pin tool and a dead blow hammer can be used help guide any female bolts through the frame and its components. Use an alloy male bolt prepped with purple loctite on the non-drive side and tighten with two 4mm allen keys.

Torque to 60-65 in/lb.



04.

Align the shock and dogbone. Orient the lower portion of the shock between the lower bearings on the dogbone.





05.

Slide the swingarm over the main pivot bore, using the grooves in the swingarm to properly align over the bore.



06.

Use the fox guide pin to align and hold the seatstays, dogbone, and shock together. Use a dead blow hammer to push the pin through the above mentioned components.



01.

Use a 2.5mm allen key to loosen the two M4x9mm flat head bolts holding the QR insert derailleur hanger in place. Remove the bolts and the QR insert from the frame. Repeat the process for the bolts and the non drive QR insert.



02.

Fit the 12MM insert hanger into the groove on the inside of the drive side chainstay. The hanger should be flush with the chainstay. Next, insert the 12mm drive cap through the chainstay and into the hanger from the outside of the drive side chainstay. To finish, use a 3MM allen key to attach the two dropout pieces to the swingarm with two M4x15MM cap bolts. Prep the bolts with blue loctite and insert them into the drive cap, through the swingarm and into the hanger.



07.

Prep the main pivot pin (shaft) and bolt (threads) with grease. Install the female pivot pin from the drive side of the bike. Use a dead blow hammer to push the pin into place. Once in place, install and tighten the male pivot bolt with two 5mm allen keys.

Torque to 115-125 in/lb.



08.

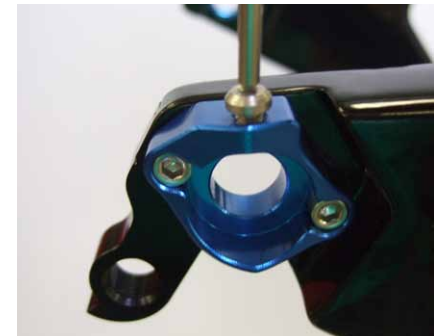
Use the fox guide pin tool and a dead blow hammer to install a 46.5mm female Ti bolt through the seatstays, dogbone, and shock. Use a Ti male bolt prepped with blue loctite on the non-drive side and tighten with two 5mm allen keys.

Torque to 90-95 in/lb



03.

Fit the 12MM non-drive insert into the groove on the inside of the non-drive side chainstay. The insert should be flush with the chainstay. Next, fit the non-drive 12mm cap through the chainstay and into the insert from the outside of the non-drive side chainstay. To finish, use a 2.5MM allen key to attach the two dropout pieces to the swingarm with two M4x10MM flat head bolts. Prep the bolts with blue loctite and insert them into the non-drive cap, through the swingarm and into the insert.

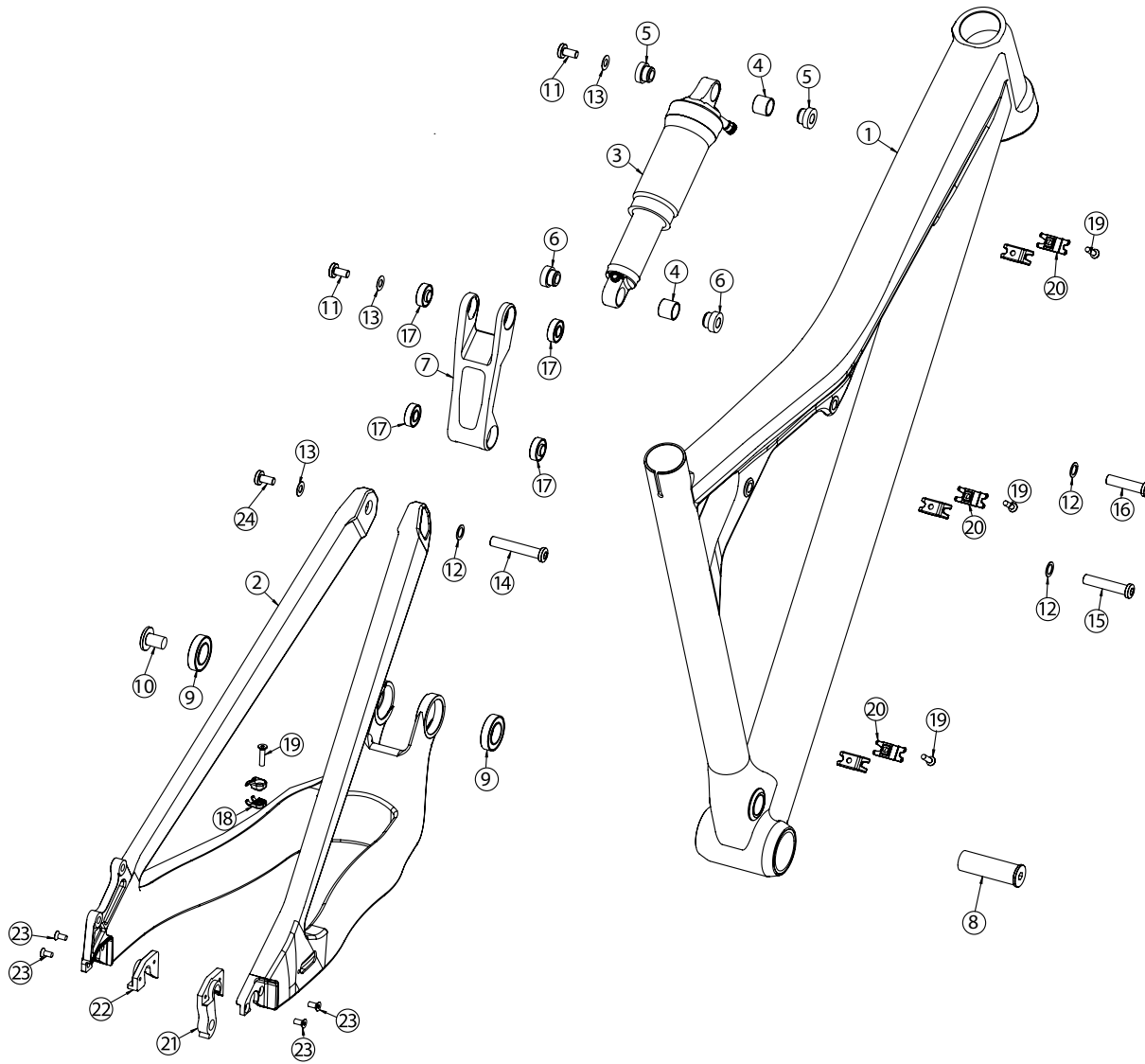


04.

Insert the M4x6MM custom cap bolt into the top of the drive cap. This bolt will be used to set the position of the Shimano 142x12MM axle. Refer to Shimano specifications for exact instructions on proper axle operations.

Torque for all chip system bolts: 15-20 in/lb

EXPLODED VIEWS



	PART #	DESCRIPTION	QTY
1	NA	ASR-5 FRONT TRIANGLE	1
2	NA	ASR-5 SWINGARM	1
3	NA	FOX RP2/RP23 [7.875"X2.0"]	1
4	300020020	GARLOCK DP BUSHING .5".5"	2
5	300020034	REDUCER FOX 8X22MM	2
6	300020037	REDUCER FOX 8X23.5MM	2
7	200020163	ASR-5 DOGBONE	1
8	300030188	PIVOT PIN 17X7.5/10X1THRD 52.4	1
9	300020001	BEARING 6903 MAX	2
10	300030189	PIVOT PIN BOLT M10 X 1 X 22	1
11	HNA0000ABA0000000005	BOLT-ALLOY-MALE M6X1 12 MM	2
12	300030069	WASHER 8.5X12.5X0.5 MM	3
13	300030062	WASHER 6.5X12.5X0.5 MM	3
14	300030112	BOLT-TI-FEMALE 8.0X46.5MM	1
15	HNA0000ABA0000000002	BOLT-ALLOY-FEMALE 8.0X40.5MM	1
16*	HNA0000ABA0000000001	BOLT-ALLOY-FEMALE 8.0X31MM	1
16*	HNA0000ABA0000000006	BOLT-ALLOY-FEMALE 8.0X34MM	1
17	300020036	BEARING 698MAX EXT RACE 1.5	4
18	300040396	BOLT-ON CABLE GUIDE SINGLE	1
19	300030139	BOLT FLAT HD M4X.7X16	4
20	300040398	BOLT-ON CABLE GUIDE TRIPLE	3
21	300060061	QR INSERT DER HANGER	1
22	300040386	QR INSERT NON-DRIVE	1
23	300030221	BOLT FLAT HEAD M4X.7X9	4
24	300030110	BOLT-TI-MALE M6X1 12 MM	1

*Please note: This bolt length varies between the carbon and alloy version (alloy uses 31mm, carbon uses 34mm).

REBUILD KITS

PART #	DESCRIPTION	QTY
HNAAS5A0000000MST0000	ASR-5A MASTER REBUILD KIT	1
300020001	BEARING 6903 MAX	2
300020036	BEARING 698MAX EXT RACE 1.5	4
300020037	REDUCER FOX 8X23.5MM	2
300030062	WASHER 6.5X12.5X0.5 MM	3
300030069	WASHER 8.5X12.5X0.5 MM	3
300030188	PIVOT PIN 17X7.5/10X1THRD 52.4	1
300030189	PIVOT PIN BOLT M10 X 1 X 22	1
300030112	BOLT-TI-FEMALE 8.0X46.5MM	1
300030110	BOLT-TI-MALE M6X1 12 MM	1
HNA0000ABA00000000001	BOLT-ALLOY-FEMALE 8.0X31MM	1
HNA0000ABA00000000002	BOLT-ALLOY-FEMALE 8.0X40.5MM	1
HNA0000ABA00000000005	BOLT-ALLOY-MALE M6X1 12MM	2
HNAAS5C0000000MST0000	ASR-5C MASTER REBUILD KIT	1
300020001	BEARING 6903 MAX	2
300020036	BEARING 698MAX EXT RACE 1.5	4
300020037	REDUCER FOX 8X23.5MM	2
300030062	WASHER 6.5X12.5X0.5 MM	3
300030069	WASHER 8.5X12.5X0.5 MM	3
300030188	PIVOT PIN 17X7.5/10X1THRD 52.4	1
300030189	PIVOT PIN BOLT M10 X 1 X 22	1
300030112	BOLT-TI-FEMALE 8.0X46.5MM	1
300030110	BOLT-TI-MALE M6X1 12 MM	1

HNA0000ABA00000000006	BOLT-ALLOY-FEMALE 8.0X34MM	1
HNA0000ABA00000000002	BOLT-ALLOY-FEMALE 8.0X40.5MM	1
HNA0000ABA00000000005	BOLT-ALLOY-MALE M6X1 12MM	2
200020173	ASR-5A/C BEARING REBUILD KIT	1
300020001	BEARING 6903 MAX	2
300020036	BEARING 698MAX EXT RACE 1.5	4

WARRANTY

YETI LIMITED (1) ONE YEAR FRAME WARRANTY

(applies to 303 WC / 4X / DJ)

Yeti Cycles will repair or replace, at its option, any frame it determines to be defective due to defective materials and/or workmanship. The (1) one year limited warranty is conditioned upon the bicycle being ridden under normal conditions and having been properly maintained. This warranty does not apply to the components attached to the frameset such as suspension components, wheels, drive train, brakes, seatpost, handlebar and stem. This warranty applies only to the original owner and is non-transferable. This warranty is void if the bicycle was not properly assembled by an authorized Yeti dealer.

YETI LIMITED (2) TWO YEAR FRAME WARRANTY

(applies to AS-R 5C / AS-R 5A / AS-R Carbon / SB66-A / SB66-C / SB95 / 575 / ARC / Big Top 29'R)

Yeti Cycles will repair or replace, at its option, any frame it determines to be defective due to defective materials and/or workmanship. The (2) two year limited warranty is conditioned upon the bicycle being ridden under normal conditions and having been properly maintained. This warranty does not apply to the components attached to the frameset such as suspension components, wheels, drive train, brakes, seatpost, handlebar and stem. This warranty applies only to the original owner and is non-transferable. This warranty is void if the bicycle was not properly assembled by an authorized Yeti dealer.

ADDITIONAL CONDITIONS

These limited warranties do not apply to normal wear and tear, nor to claimed defects, malfunctions or failures that result from abuse, neglect, improper assembly, improper maintenance, alteration, collision, crash or misuse. The original owner shall pay all labor charges connected with the repair or removal of all components. Under no circumstance does this limited warranty include the cost of travel or shipment to and from an authorized Yeti dealer. In order to exercise your rights under these limited warranties, the bicycle or frameset must be presented to an authorized Yeti dealer, together with proof of purchase.

**The above warranties have been in effect since January 2012. For warranty information on Yeti frames sold prior to that date please consult your local authorized dealer.*

NO FAULT REPLACEMENT POLICY

Yeti Cycles will make replacement parts available at a minimum charge to the original owner in the event of a crash or any other non-warranty situation. Yeti Cycles does this at its sole discretion and reserves the right to refuse this offer.

PRODUCT LIFE CYCLE

Every YETI frameset has a useful product life cycle. The length of that useful product life cycle will vary depending on the construction and the materials of the frameset, maintenance and care the frameset receives, and the amount and type of use the frameset is subjected to over its life. YETI recommends that an authorized YETI dealer should inspect the frame for stress annually. Frame stress could cause potential failure and the signs are usually apparent in the form of cracks, fracture lines, deformation, dents, and any other visual indicators of abnormality. These safety checks for frame stress are important to prevent accidents, injury to the cyclist, and product failure of a YETI frameset.

DISCLAIMER

YETI Cycles is not responsible for any damages to you or others arising from riding, transporting or other use of your bicycle. In the event that your frame breaks or malfunctions, YETI Cycles shall have no liability or obligation beyond the repair or replacement of your frame pursuant to the terms outlined in the warranty.

**If you have a warranty concern, please contact your authorized Yeti dealer.*

YETI CYCLES

600 Corporate Circle, Unit D
Golden, CO 80401
(p) 303-278-6909
(f) 303-278-6906
www.yeticycles.com

BUSINESS HOURS

Monday-Friday
8AM-11:30AM, 1:00PM-5:30PM
(Mountain Time)