

RIDE
DRIVEN
YETI SINCE 85
CYCLES

YETICYCLES.COM

RIDE
DRIVEN
YETI SINCE 85
CYCLES

2011 BIG TOP OWNER'S MANUAL

Table of Contents

Brand Overview	6
Frame Features	8
Geometry	10
Maintenance Schedule	12
Bike Setup	
– Cable Setup	14
– Chip System	16
Warranty	18
Contact Information	19

Overview

Congratulations on your purchase of a new Yeti bicycle. We are confident your new bicycle will exceed your expectations for value, performance and ride quality. Each frameset and component has been custom specified and designed to enhance your riding experience. Whether you are a beginner cyclist or a seasoned-pro, Yeti bicycles will provide endless hours of two-wheeled fun.

GENERAL INFORMATION

This model-specific manual is designed to be used in conjunction with the general Yeti Owner's Manual and the manuals supplied by the suspension manufacturers. If you did not receive the Yeti Owner's Manual or the manual provided by the suspension manufacturer, download the materials off the Internet, or contact your dealer.

Bicycling can be a hazardous activity even under the best of circumstances. Proper maintenance of your bicycle is your responsibility and when done properly helps reduce the risk of injury and damage to your bicycle. This manual outlines basic setup and maintenance recommendations of your new Yeti. Because it is impossible to anticipate every situation or condition that may occur during the assembly, setup and maintenance of your bicycle, Yeti recommends that all service and repairs be

This manual contains many "Warnings" and "Cautions" concerning the consequences of failure to maintain or inspect your bicycle. The combination of the safety alert symbol and the word "Warning" indicates a potentially hazardous situation in which, if not avoided, could result in serious injury or death. The combination of the safety alert symbol and the word "Caution" indicates a potentially hazardous situation in which, if not avoided, may result in minor injuries or damage to your bicycle or a component of your bicycle. Be sure to read and understand all "Warnings" and "Cautions".



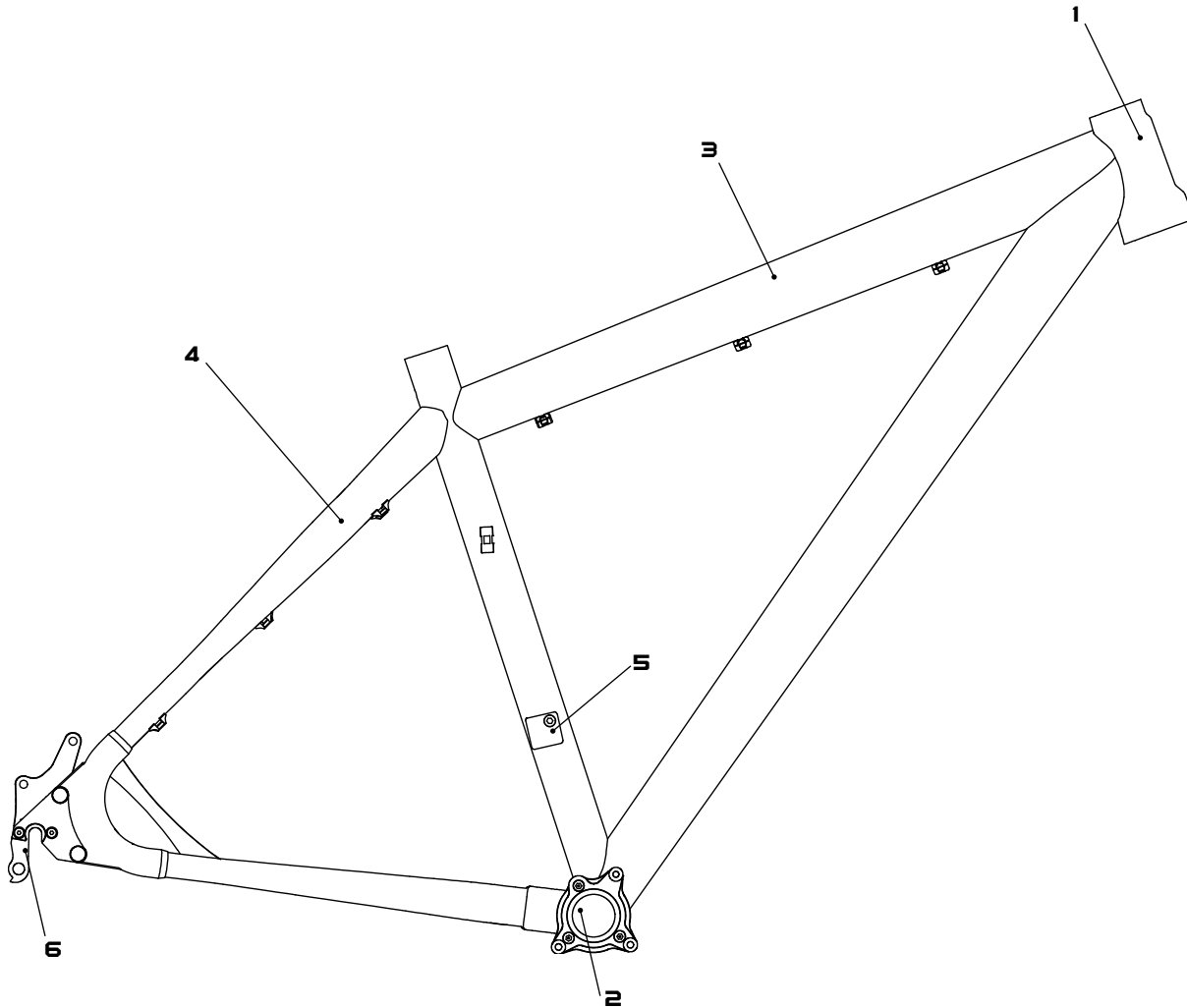
Warning: Make sure you review and understand the warnings, instructions and content of this manual and accompanying manuals for your bicycle.



Warning: Technological advances have made bicycles and bicycle components more complex and the pace of innovation is increasing. It is impossible for this manual or accompanying manuals to provide all the information required to properly repair and maintain your bicycle. In order to help minimize the chances of injury, it is critical for you to have work performed by an authorized Yeti dealer.



Frame Features



1. **HEADTUBE**

The Big Top uses a new tapered headtube that provides an increase in torsional and lateral stability with a negligible weight penalty.

2. **REMOVABLE ISCG MOUNT**

Set up and run a 1x10 drivetrain with a chain guide cleanly and efficiently. The removable tabs are lighter than a welded version and they are easily removable for use with a traditional 2x10 or 3x10 drivetrain.

3. **PURE TUBING**

The Big Top's front triangle is constructed with custom butted and tapered 7005 aluminum Yeti pure tubing. This makes the frame lightweight and strong without the use of gussets. Unique shape perfectly compliments the shape of the headtube for increased front-end stiffness.

4. **REAR TRIANGLE**

High modulus carbon fiber rear triangle keeps the frame laterally stiff while providing a more forgiving ride on rougher terrain.

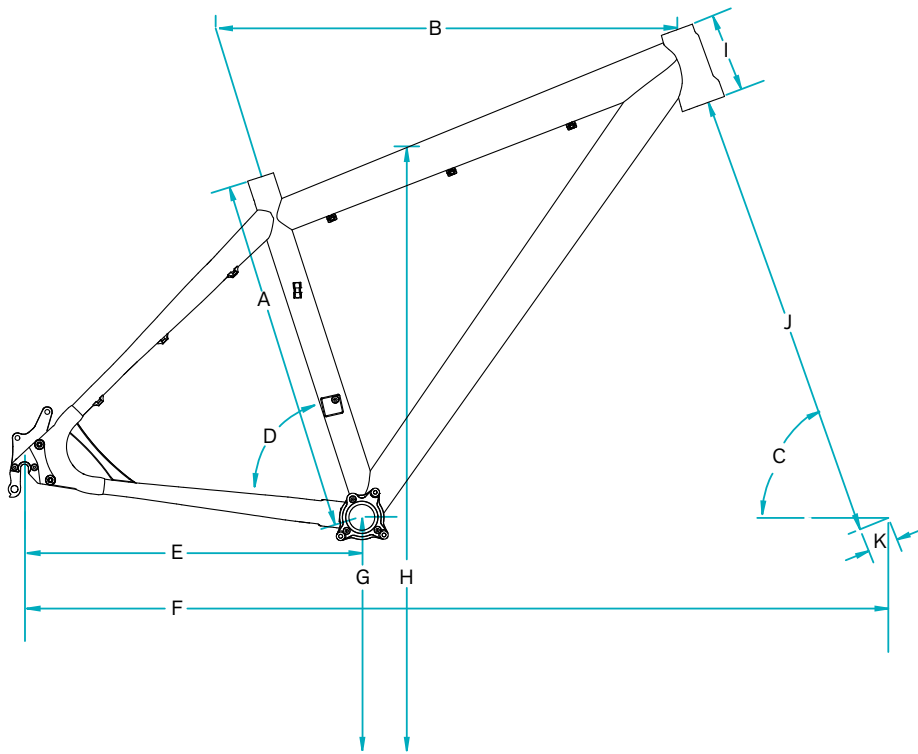
5. **DIRECT MOUNT FRONT DERAILLEUR**

Easily mount a Shimano Direct Mount D Type or Sram High Direct Mount front derailleur to the frame while ensuring the most tire clearance possible.

6. **DROPOUTS**

Easily switch between a standard 135mm QR dropout or a 142mm x 12mm system. Optional single speed dropouts are also available.

Geometry



GEOMETRY BIG TOP 29'R

100 MM FORK

	MD	LG	XL
A	18.0	19.5	21.0
B	23.5	24.8	25.8
C	70.0	70.0	70.0
D	72.0	72.0	72.0
E	17.1	17.1	17.1
F	43.0	44.3	45.3
G	12.0	12.0	12.0
H	31.0	32.0	33.0
I	4.00	4.50	5.10
J	19.7	19.7	19.7
K	1.7	1.7	1.7

*All measurements are in inches.

Maintenance

MAINTENANCE Following these guidelines will help maintain the performance of your bicycle and prevent more serious problems from arising. It is important to remember that service intervals can vary depending on climate, trail conditions and riding frequency.

ACTION	WEEKLY	MONTHLY	3 MONTHS	ANNUALLY
Clean and lube chain	x			
Check tire pressure	x			
Clean bike of mud and debris (never spray water directly into frame or components)	x			
Check brake function	x			
Check shock pressure, if applicable	x			
Check for loose bolts and tighten, if necessary	x			
Check headset and tighten / loosen, if necessary		x		
Thoroughly clean pivot points with a rag (do not lubricate)		x		
Replace brake pads, if necessary			x	
Check tires for wear			x	
Check spoke tension and retention, if necessary			x	
Check chain for worn, damaged, or loose links, replace chain if necessary			x	
Complete tune-up performed by an authorized Yeti dealer				x



MAINTENANCE? Not sure how to work on your own bike? Contact your authorized Yeti dealer or visit www.parktool.com and check out the repair help section. This section contains detailed instruction on many of the service items listed in the maintenance schedule.

TORQUE We have attached a brief list of torque specifications for bolts and components that may need to be tightened while performing basic maintenance. This is just a guide. For specific torque, specifications, please contact the component manufacturer directly.

TORQUE SPECS

Pivot Bolts	125 - 150
Derailleur Hanger Bolts	30 - 45
Handlebar Binder Bolt	150 - 180
Stem Binder Bolt	175 - 260
Seatpost Binder Bolt	150 - 180
Saddle Clamp Bolts	175 - 250
Rear Derailleur	70 - 86
Front Derailleur Clamp	45 - 60
Chainring Bolts	88 - 132



Caution: The torque specifications listed should be used as a guide when performing maintenance. Technological advances have made bicycles and bicycle components more complex, and the pace of innovation is increasing. Because of these advances, Yeti recommends that you refer to the torque specifications of the manufacture's component you are adjusting. In order to help minimize the chances of injury, do not perform any maintenance that you are no confident can be completed within your abilities.

Cable Setup

The Big Top has full cable housing. By using full cable housing, we have eliminated break points in the line of your shifter housing. This allows riders to experience better overall shifting performance by reducing the entrance of unwanted elements such as sweat and sediment. Use of full cable housing helps prevent corrosion from the elements and keeps the shifting smoother for a longer period of time.

Caution: The failure to properly route shifter housing can cause malfunction of the shift mechanism and unexpected shifting of gears.

1 REAR DERAILLEUR Fit a piece of housing from the rear shifter and run it along the drive side of the head tube and into the cable stops on the bottom of the top tube. There are three cable stops groups on the bottom of the down tube to which the housing and brake line can be attached, each with three positions to secure housing. Fit the rear housing line along the top tube through these stops using the position closest to the drive side.

Next route the housing down the drive side seat stay and secure it to the guide with two cable clips or zip ties. Loop the line into the rear derailleur to finish.



2 FRONT DERAILLEUR Fit a piece of housing from the front shifter and run it along the non drive side of the head tube and into the cable stops on the top tube. Run the housing line along the top tube through the three cable stops, using the middle position.

Next route the housing down the drive side of the seat tube and secure to the guide using a cable clip or zip tie. Run the line directly into the stop on the front derailleur to finish.

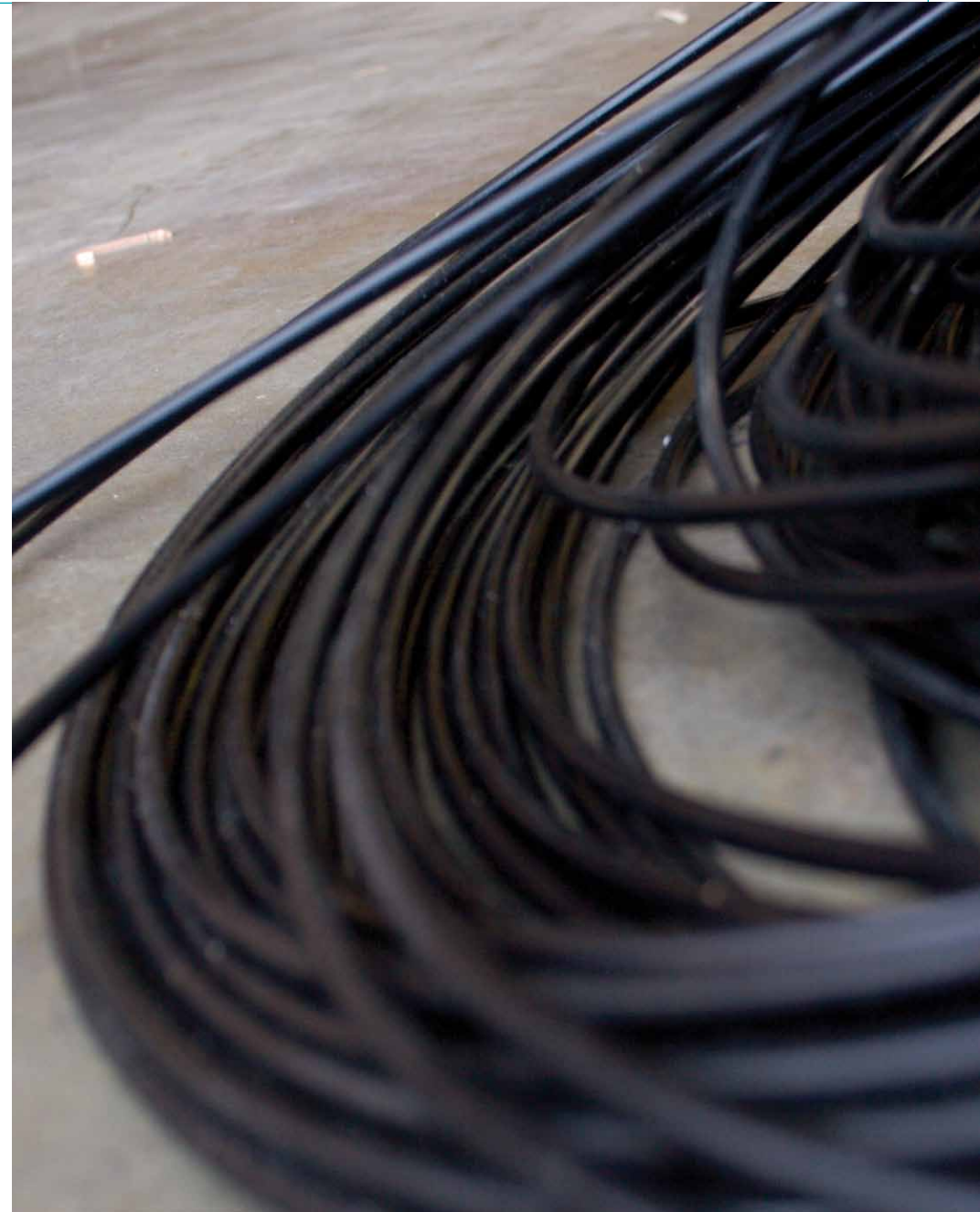


3 REAR BRAKE The rear brake line loops across the head tube and into the bolt-on cable stops on the top tube. Use the position closest to the non-drive side on the cable guides for the rear brake line.

Next route the brake line down the non-drive side seatstay and secure it to the two cable guides using cable clips or zip ties. Ensure the line is finished on the inside of the seatstay when attached to the caliper body. This will prevent the brake line from being compromised if the bike or rider falls.



BOLT-ON CABLE GUIDES 2011 Yeti frames use bolt-on cable guides for routing brake and shift housing. The guides allow for clean cable routing and their two-piece design keeps the housing from contacting the frame and marring the finish.



Chip System

The 2011 Big Top features our Yeti Chip System that allows for the use of a standard 135mm QR or a 12mm x 142mm thru axle. Based on your wheel and hub choices, simply insert the appropriate chips and you are on your way. A single speed dropout set is also available exclusively for the Big Top.

1 REMOVING STOCK CHIP SET Use a 2.5mm allen key to loosen the two M4x9mm flat head bolts holding the QR insert derailleur hanger in place. Remove the bolts and the QR insert from the frame. Repeat the process for the bolts and the non drive QR insert.



2 INSTALLING DT DROPOUT KIT Fit the 12MM insert derailleur hanger into the groove on the inside of the drive side chainstay. The hanger should be flush with the chainstay. Next, insert the threaded 12mm cap through the chainstay and into the hanger from the outside of the drive side chainstay. To finish, use a 3MM allen key to attach the two dropout pieces to the swingarm with two M4x15MM cap bolts. Prep the bolts with locktite and insert them into the threaded cap, through the swingarm and into the derailleur hanger.



Torque: 15-20 in/lb

3 INSTALLING DT DROPOUT KIT Fit the 12MM non-drive insert into the groove on the inside of the non-drive side chainstay. The insert should be flush with the chainstay. Next, insert the un-threaded 12mm cap through the chainstay and into the insert from the outside of the non-drive side chainstay. To finish, use a 3MM allen key to attach the two dropout pieces to the swingarm with two M4x15MM cap bolts. Prep the bolts with locktite and insert them into the un-threaded cap, through the swingarm and into the insert.



SINGLE SPEED DROPOUT KIT Run your Big Top 29" R as a single speed with a set of adjustable single speed drops. Check with your Yeti dealer or visit <http://store.yeticycles.com/> to purchase a set.

4 INSTALLING SHIMANO DROPOUT KIT Fit the 12MM insert derailleur hanger into the groove on the inside of the drive side chainstay. The hanger should be flush with the chainstay. Next, insert the 12mm drive cap through the chainstay and into the hanger from the outside of the drive side chainstay. To finish, use a 3MM allen key to attach the two dropout pieces to the swingarm with two M4x15MM cap bolts. Prep the bolts with locktite and insert them into the drive cap, through the swingarm and into the derailleur hanger.



5 INSTALLING SHIMANO DROPOUT KIT Fit the 12MM non-drive insert into the groove on the inside of the non-drive side chainstay. The insert should be flush with the chainstay. Next, fit the non-drive 12mm cap through the chainstay and into the insert from the outside of the non-drive side chainstay. To finish, use a 2.5MM allen key to attach the two dropout pieces to the swingarm with two M4x10MM flat head bolts. Prep the bolts with locktite and insert them into the non-drive cap, through the swingarm and into the insert.

Torque: 15-20 in/lb



6 INSTALLING SHIMANO DROPOUT KIT Insert the M4x6MM custom cap bolt into the top of the drive cap. This bolt will be used to set the position of the Shimano 142x12MM axle. Refer to Shimano literature for exact instructions on axle operations.

Torque: 15-20 in/lb



Warranty

YETI LIMITED (2) TWO YEAR FRAME WARRANTY (applies to 303 DH, 303 RDH, 25TH 303 DH, AS-R 7 > 160MM Fork, DH-9, AS-X, 4X, DJ, SX)

Yeti Cycles will repair or replace, at its option, any frame it determines to be defective materials and / or workmanship. The (2) two year limited warranty is conditioned upon the bicycle being ridden under normal conditions and having been properly maintained. This warranty does not apply to the components attached to the frameset such as suspension components, wheels, drive train, brakes, seatpost, handlebar and stem. This warranty applies only to the original owner and is non-transferable. This warranty is void if the bicycle was not properly assembled by an authorized Yeti dealer.

YETI LIMITED (5) FIVE YEAR FRAME WARRANTY (applies to AS-R 5 Carbon, AS-R 5 Alloy, AS-R Carbon, AS-R Alloy, AS-R-sl(c), AS-R, AS-R 7 w/160MM Fork, 575, ARC, ARC-X, Big Top 29'R, FRO, Kokopelli)

Yeti Cycles will repair or replace, at its option, any frame it determines to be defective materials and / or workmanship. The (5) five year limited warranty is conditioned upon the bicycle being ridden under normal conditions and having been properly maintained. This warranty does not apply to the components attached to the frameset such as suspension components, wheels, drive train, brakes, seatpost, handlebar and stem. This warranty applies only to the original owner and is non-transferable. This warranty is void if the bicycle was not properly assembled by an authorized Yeti dealer.

ADDITIONAL CONDITIONS

These limited warranties do not apply to normal wear and tear, nor to claimed defects, malfunction or failures that result from abuse, neglect, improper assembly, improper maintenance, alteration, collision, crash or misuse. The original owner shall pay all labor charges connected with the repair or removal of all components. Under no circumstances does this limited warranty include of the cost of travel or shipment to and from an authorized Yeti dealer. In order to exercise your rights under these limited warranties, the bicycle or frameset must be presented to an authorized Yeti dealer, together with proof of purchase.

- The above warranties have been in effect since January 2000. All Yeti frames sold prior to that date had a limited (1) one year warranty on the frameset.
- No Fault Replacement Policy
- Yeti Cycles will make replacement parts available at a minimum charge to the original owner in the event of a crash or any other non-warranty situation. Yeti Cycles does this at its sole discretion and reserves the right to refuse this offer.
- If you have a warranty concern, please contact your authorized Yeti dealer.

NO FAULT REPLACEMENT POLICY

Yeti Cycles will make replacement parts available at a minimum charge to the original owner in the event of a crash or any other non-warranty situation. Yeti Cycles does this at its sole discretion and reserve the right to refuse this offer. If you have a warranty concern, please contact you authorized Yeti dealer.

PRODUCT LIFE CYCLE

Every Yeti frameset has a useful product life cycle. The length of that useful product life cycle will vary depending on the construction and materials of the frameset, maintenance and care the frameset receives, and the amount and type of use the frameset is subjected to over its life. Yeti recommends that an authorized Yeti dealer should inspect the frame for stress annually. Frame stress could cause potential failure and the signs are usually apparent in the form of cracks, fracture lines, deformation, dents and other visual indicators of abnormality. These safety checks for frame stress are important to prevent accidents, injury to the cyclist and product failure of a Yeti frameset.

DISCLAIMER

Yeti Cycles is not responsible for any damages to you or others arising from riding, transporting or other use of your bicycle. In the event that your frame breaks or malfunctions, Yeti Cycles shall have no liability or obligation beyond the repair or replacement of your frame pursuant to the terms outline in this warranty.

CONTACT INFO

Yeti Cycles
600 Corporate Circle, Unit D
Golden, CO 80401
(p) 303-278-6909
(f) 303-278-6906
WWW.YETICYCLES.COM

BUSINESS HOURS

Monday-Friday
8AM-11:30AM, 1:00PM-5:30PM
(Mountain Time)